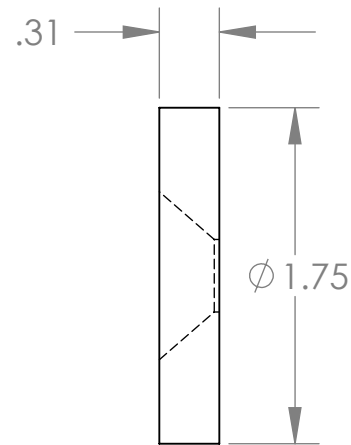
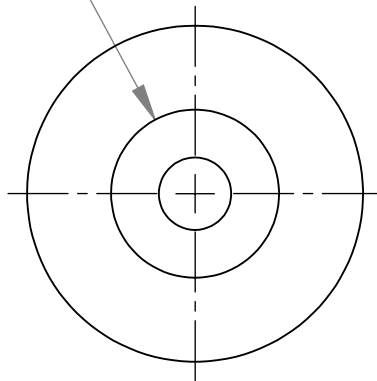


$\phi .377^{+.006}_{-.002}$  THRU ALL

$\checkmark \phi .875 \pm .010 \times 82^\circ$



.X = +/- .1  
.XX = +/- .01  
.XXX = +/- .005



289 Harrel Street  
Morrisville, VT 05661  
Toll Free Phone 1.877.859.3947  
Toll Free Fax 1.888.766.9994  
web www.ecofastensolar.com  
e-mail info@ecofastensolar.com

**CP**

MATERIAL: 6000 Series Aluminum

SCALE: 1:1

2/3/2010

SHEET 1 OF 1