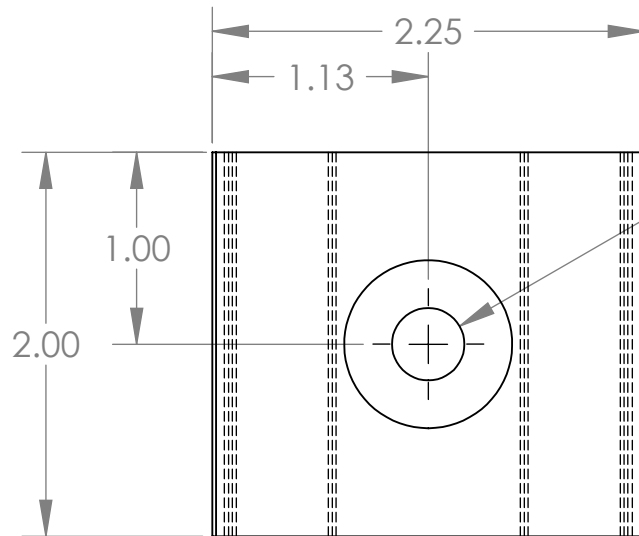


Unless Otherwise Noted all R .02



$\phi .377^{+.006}_{-.002}$  THRU ALL  
 $\checkmark \phi .875 \pm .010 \times 82^\circ$ , NEAR SIDE

.X = +/- .1  
 .XX = +/- .01  
 .XXX = +/- .005



289 Harrel Street  
 Morrisville, VT 05661  
 Toll Free Phone 1.877.859.3947  
 Toll Free Fax 1.888.766.9994  
 web www.ecofastensolar.com  
 e-mail info@ecofastensolar.com

**F-111**

MATERIAL: 6000 Series Aluminum

SCALE: 1:1

2/3/2010

SHEET 1 OF 1