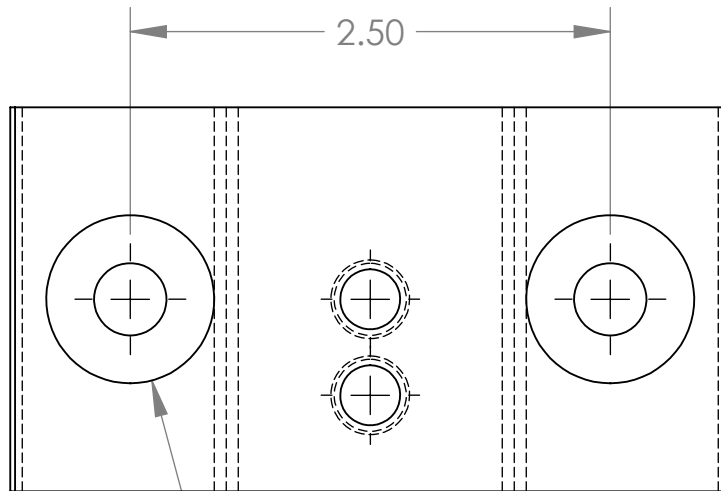
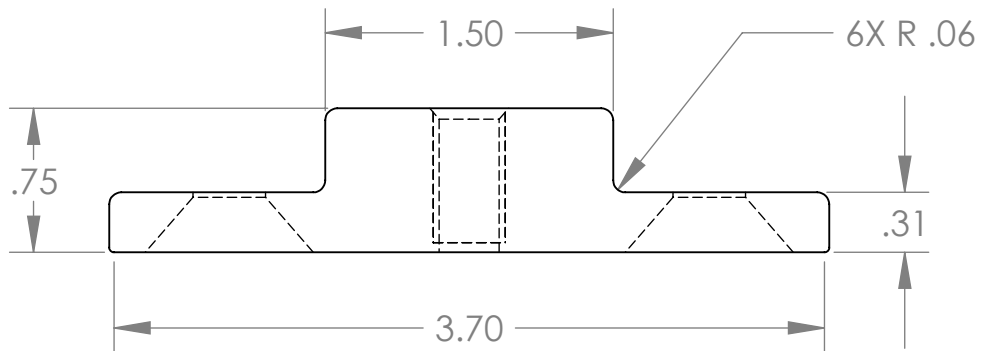


3/8-16 UNC ∇ .70
 ✓ ϕ .41 X 82°, NEAR SIDE



.X = +/- .1
 .XX = +/- .01
 .XXX = +/- .005

2X ϕ .377^{+.006}/_{-.002} THRU ALL
 ✓ ϕ .875 \pm .010 X 82°, NEAR SIDE