

Quik-Foot

Attachments secure, roof intact.

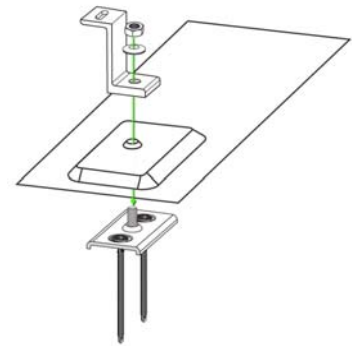
Roof Attachment Specialists
Attachments Secure — Roof Intact

Installing Quik-Foot on a Composition Shingle Roof

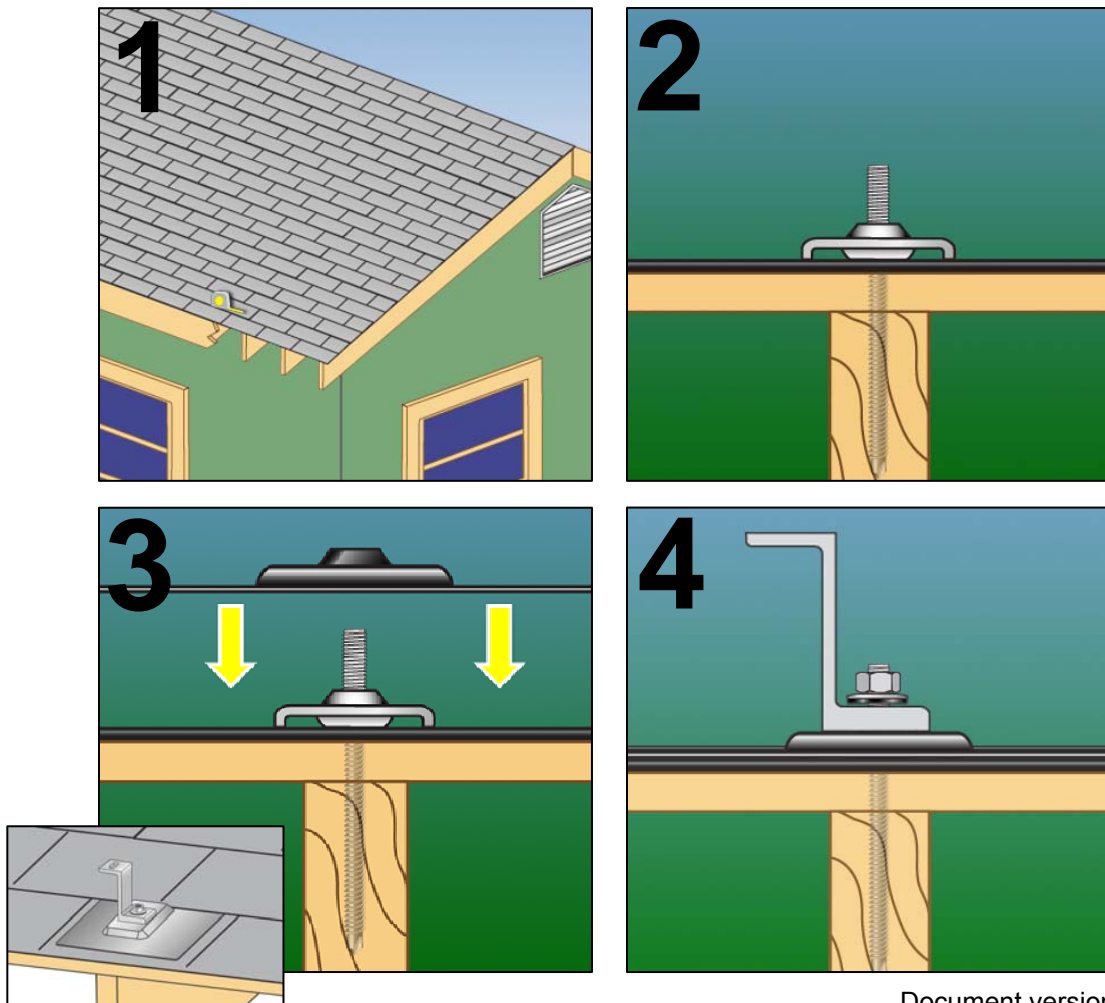
No need to remove any shingles if you can locate the rafters.

Tools Required:

- Cordless drill with #2 square drive bits, tape measure, stud finder, chalk line, etc.
1. Locate the rafters and snap horizontal and vertical lines to mark the installation position for each Quik-Foot. Note: vertical location is for illustration only, generally items are not installed at the eave.
 2. Install base as shown using appropriate fastener. Fastener must be securely installed into rafter.
 3. Install flashing as shown. The top of the flashing must be under then next row of shingles. On an existing roof, slide the flashing into place under next course of shingles.
 4. Install top compression component as shown using neoprene-bonded washer and stainless locking nut.



Consult an engineer or go to www.eco-fasten.com for engineering data.



Document version: 04.22.2009

Eco-Fasten
289 Harrel Street • Morrisville, VT 05661
Toll Free Phone 1.888.766.4273 • Toll Free Fax 1.888.766.9994
E-mail info@eco-fasten.com

