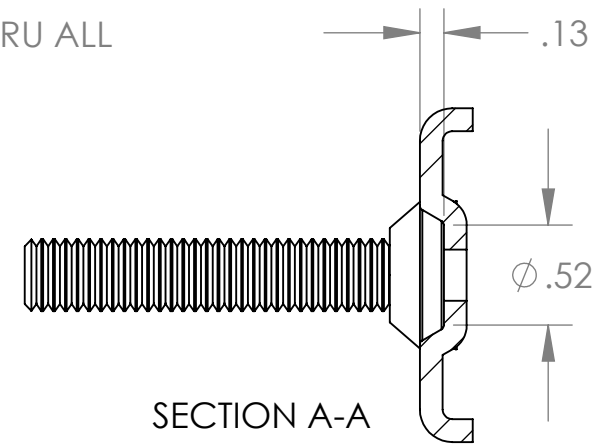
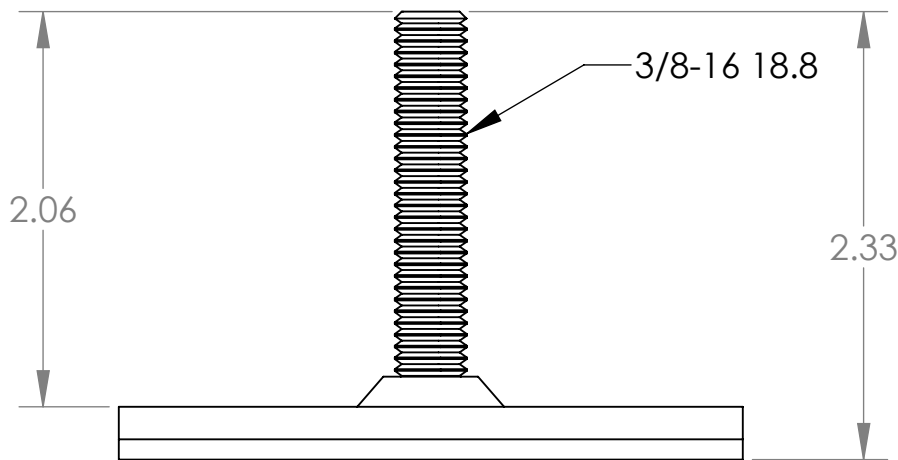


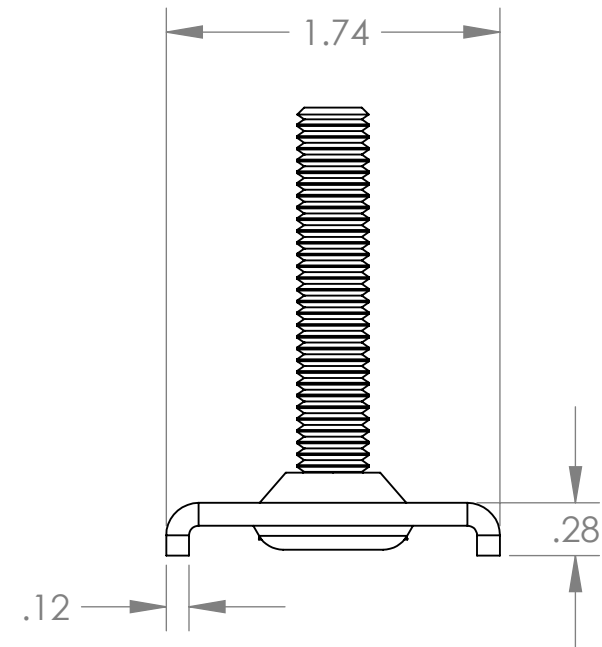
2X  $\phi$  .27 THRU ALL



SECTION A-A



3/8-16 18.8



.X = +/- .1  
 .XX = +/- .01  
 .XXX = +/- .005



289 Harrel Street  
 Morrisville, VT 05661  
 Toll Free Phone 1.877.859.3947  
 Toll Free Fax 1.888.766.9994  
 web www.ecofastensolar.com  
 e-mail info@ecofastensolar.com

**QF-L**

MATERIAL: 304 Stainless Steel

SCALE: 1:1

2/3/2010

SHEET 1 OF 1